



# Clockwise Corners

I can recognise and move in clockwise and anticlockwise turns.



Follow Hickory's route through the maze to the clock. Colour the clockwise turns in green and colour the anticlockwise turns in red.

The maze is a 10x10 grid with several walls. A blue path starts at a mouse on the left edge (row 5, column 1) and ends at a clock on the right edge (row 8, column 10). The path consists of the following segments and turns:

- Start at (5, 1) and move right to (5, 4). A clockwise turn arrow is shown at (5, 4).
- Move down to (6, 4). A clockwise turn arrow is shown at (6, 4).
- Move right to (6, 5). A clockwise turn arrow is shown at (6, 5).
- Move down to (7, 5). A clockwise turn arrow is shown at (7, 5).
- Move left to (7, 4). A clockwise turn arrow is shown at (7, 4).
- Move down to (8, 4). A clockwise turn arrow is shown at (8, 4).
- Move right to (8, 10). A clockwise turn arrow is shown at (8, 10).
- Move down to (9, 10). A clockwise turn arrow is shown at (9, 10).
- End at the clock at (10, 10).

There are also several anticlockwise turn arrows shown in the maze, but they are not part of the path.





# Clockwise Corners

I can recognise and move in clockwise and anticlockwise turns.



Follow Hickory's route through the maze to the clock. Colour the clockwise turns in green and colour the anticlockwise turns in red.

The maze consists of a 10x10 grid with several black walls forming a path. A blue line traces the path from a mouse on the left edge to a clock in the lower-left area. The path includes several turns, each marked with a circular arrow indicating the direction of the turn. The turns are: a clockwise turn at the top left, an anticlockwise turn at the top right, a clockwise turn at the middle left, an anticlockwise turn at the middle right, a clockwise turn at the bottom left, an anticlockwise turn at the bottom right, and a clockwise turn at the bottom right corner.

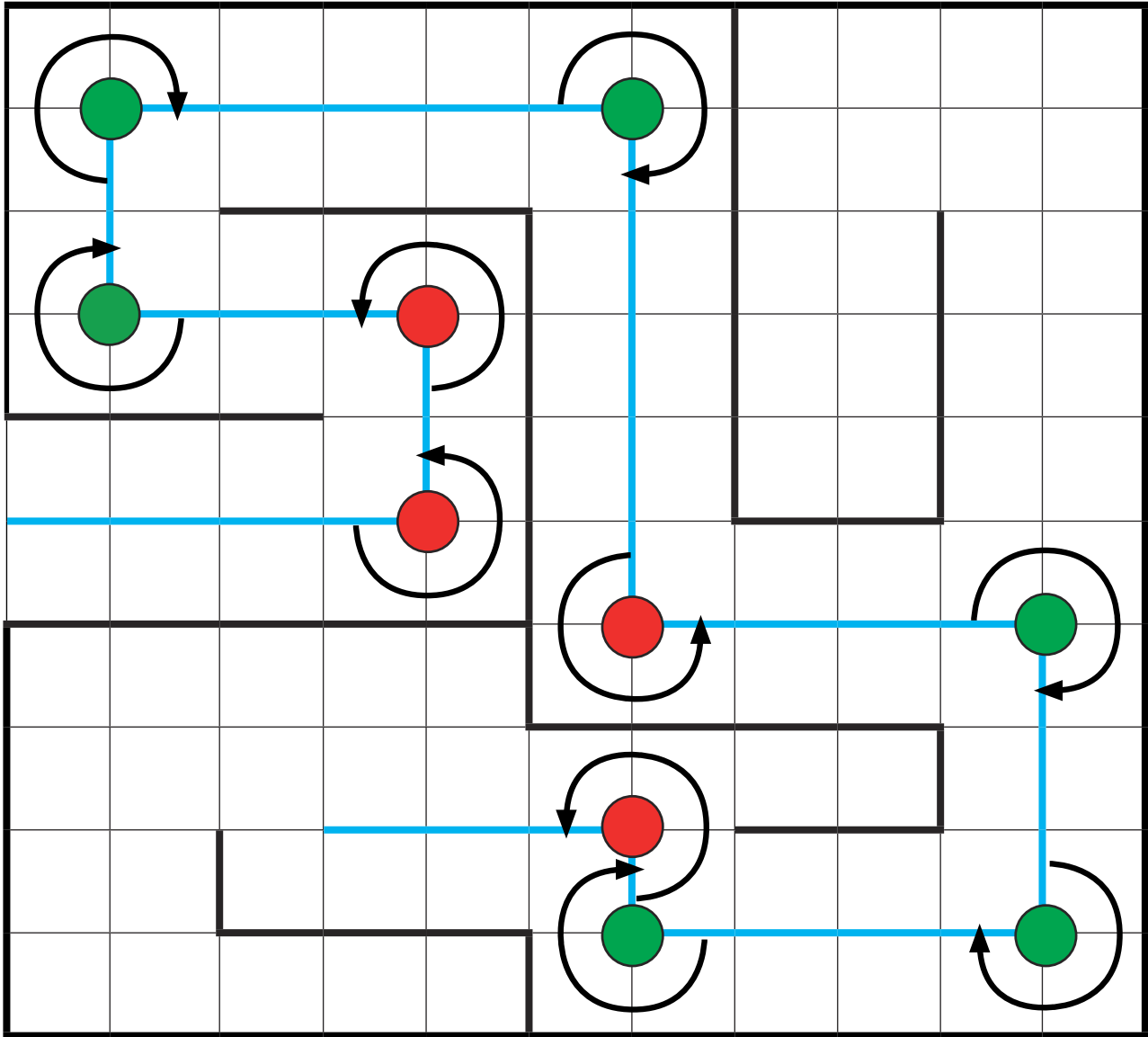








# Clockwise Corners **Answers**





# Clockwise Corners Answers

